

Rhinoflex

PLUG VALVE

LUBRICATED PRESSURE
BALANCED TYPE

Rhinoflex Valve Solutions Pty Ltd



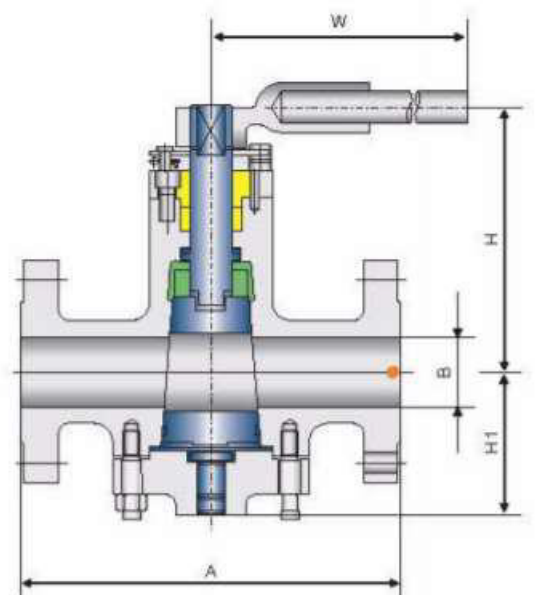
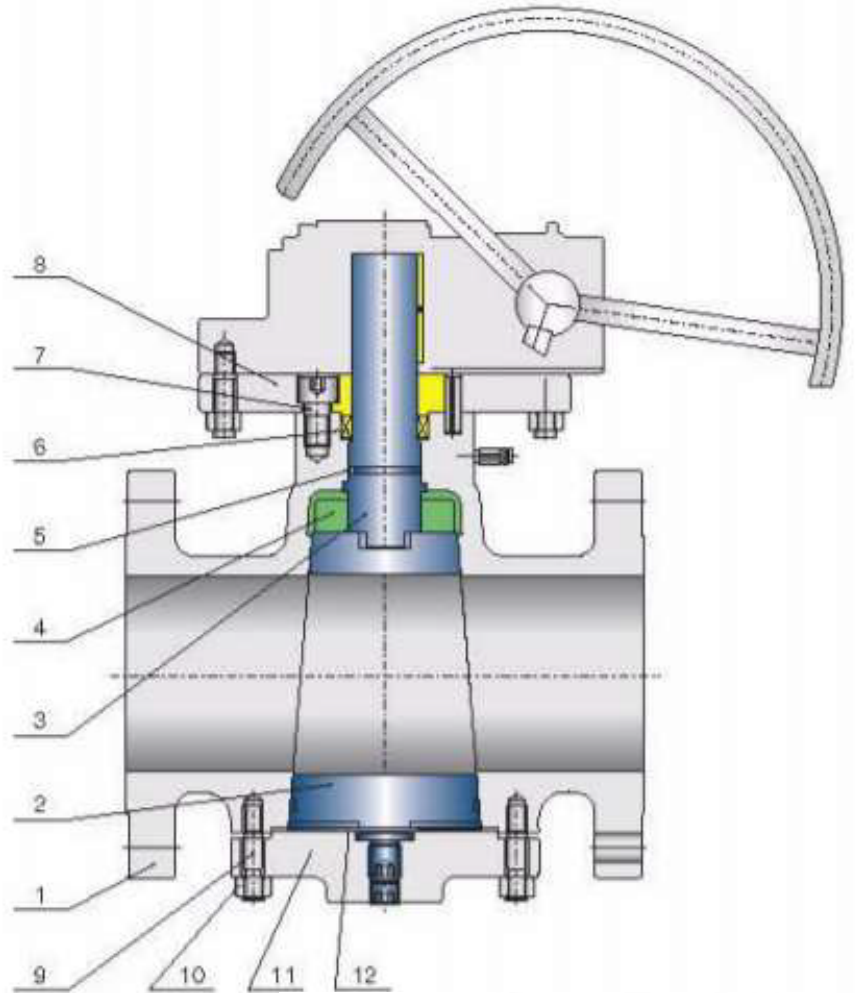
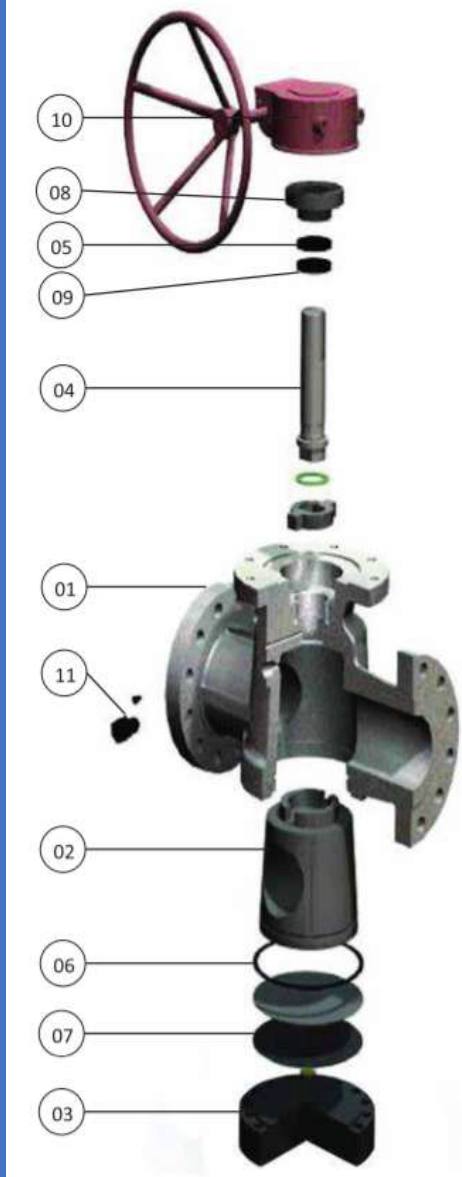
Rhinoflex Lubricated Pressure Balanced Inverted Plug Valves has logical structure, reliable seal, excellent performance and nice design. It has the structure of inverted pressure balanced, the movement of on-off operation is easy and light. An oil injection plug are installed between the valve body and seal surface, which may infuse the seal grease into the seat to increase the seal capability. The materials of the parts and sizes of flanges can be reasonable selected according to the actual operation condition of the requirements of the customers, so as to meet the various needs of engineering.

Rhinoflex Lubricated Pressure Balanced Inverted Plug Valves are supplied of pressure ratings available ranging from CL150~CL2500 and working temperature of -29~180 °C.

Rhinoflex

PLUG VALVE

LUBRICATED PRESSURE
BALANCED TYPE



Rhinoflex Pressure Balanced Lubricated Plug Valves are with the technical features of pressure balanced structure, the inner parts are filled with oil grease which could extend the use lifetime. The series valves are in unique control supporting structure, which make the adjustment easy and flexible. Rhinoflex offer Pressure Balanced Lubricated Plug Valves with bi-directional sealing, the installation would not be limited by the flow direction. The seat is lubricated by grease or oil, so the series valve get reliable internal and external sealing. The valve are with advantage design of compact structure and light weight.

Rhinoflex

PLUG VALVE

LUBRICATED PRESSURE
BALANCED TYPE

SERIES. NO.	PART NAME	CARBON STEEL	STAINLESS STEEL	LOW TEMPERATURE
1	BODY	A216 WCB	A351 CF8M	A352 LCB
2	BONNET	A216 WCB	A351 CF8M	A352 LCB
3	PLUG	A216 WCB+ NITRIDING	A182 F316+ NITRIDING	A182 F304+ NITRIDING
4	BONNET GASKET	SS304+ GRAPHITE	SS316+ GRAPHITE	SS304+ GRAPHTE
5	ADJUSTING GASKET	A182 F6a	A182 F316	A182 F6a
6	ADJUSTING BOLT	A193 B7	A193 B8	A320 L7
7	BONNET STUD	A193 B7	A193 B8	A320 L7
8	BONNET BOLT	A194 2H	A194 8	A194 4
9	HANDLE	CARBON STEEL	CARBON STEEL	CARBON STEEL
10	DIAPHRAGM	SS304+PTFE	SS316+PTFE	SS304+PTFE
11	PACKING	GRAPHITE	GRAPHITE	GRAPHITE
12	GLANDFLANGE	A216 WCB	A217 WC6	A352 LCB
13	METAL DIAPHRAGM	SS304	SS316	SS304

Rhinoflex

PLUG VALVE

LUBRICATED PRESSURE
BALANCED TYPE

DESCRIPTION

Rhinoflex Lubricated Pressure Balanced Type Plug Valve are used for cutting and connection of pipelines medium that are used in various industries such as petroleum, chemical industry, pharmacy, chemical fertilizer, electric power industry. In many applications they operate virtually maintenance free for decades. Rhinoflex offers a wide range of plug valves to meet your needs, available of bi-directional flow, simple actuation, light weight, compact design, and multiport configurations all facilitate improved system design. when the specialized oil and grease are injected into the plug hole between the body and plug from the top, one oil diaphragm will generate and it could reduce the torque for opening and closing the valve, also increase the sealing performance and extend lifetime of the valve.



CAPABILITIES

- » Sizes Ranges from 1/2" thru 60", DN15 thru DN600
- » Pressure Ratings: CL150~CL2500, PN16 ~ PN420
- » Ends Connections available in flanged FF RF, RTJ, Butt Welded, etc
- » Materials: carbon steel A216 WCB, A216 WCC, low temperature carbon steel A352 LCB, LCC, Alloy Steel WC6, WC9, stainless steel A351 CF8, CF8M, CF3, CF3M, Duplex&Super Duplex SS A995 4A, 5A, special materials in Monel, Alu, Bronze C95800, C95400, etc.
- » Operation: Manually lever or gear, Electric, Pneumatic or Hydraulic, Electric
- » Standard compliance ranges: API 6D, DIN3202, ASME B16.10, ASME B16.5, ASME B16.47, ASME B16.34, API 598
- » Rugged, Head-duty body, One-piece union body, Tapered Plug, Large port opening,
- » Lubricated , Pressure Balanced, Stem integral with Plug, In-line adjustment
- » Renewable seat ring, Anti-static device, Stopper device, Fire safe construction, Tight head seal.
- » Compact constructions, Protected Surface by Coating or Overlays, Minimum maintenance, Simplicity



ADVANTAGES

Rhinoflex Plug Valve, also called cock or stop-cock valves, is one of the most widely used valves for both on/off and throttling services. Their design is fairly simple, the body is comprised of three main parts: body, cover and plug. The plug is a cylindrical, tapered, or generally cone-shaped device that can be raised or lowered within the seat to maintain, restrict or completely shut off flow. The valve is opened by rotation, with the plug itself being the only element that is capable of movement. Rhinoflex offer the process industries the widest range of lubricated plug valve models, materials, and configurations. This provides customers the flexibility to specify plug valves types to meet virtually of all their applications needs. Rhinoflex has the answer to your corrosion-resistant, quarter-turn valve needs, whether for no-off or modulating control.